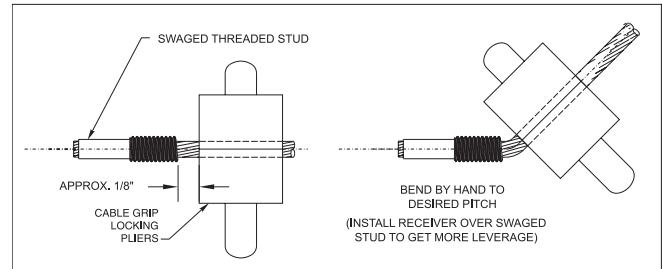


# Using Invisiware Receivers on Stairways

The following instructions illustrate how you can use an Invisiware Receiver and stud on stairway end posts, without having to drill holes on an angle.

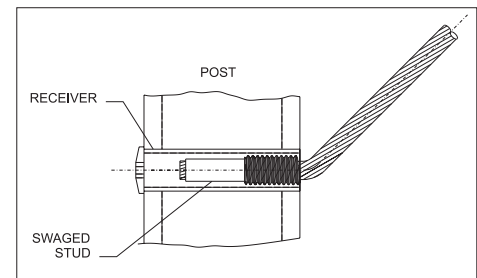
**Section A. This section applies if you are installing Invisiware Receivers on both ends of your cable run.** If the cables are supplied with studs on each end, you can disregard steps 1, 4 and 5 below.

1. **Swage the stud** onto the end of the cable to be installed at the bottom of the stairway. See the "Swaging Instructions" on pages 15-16.

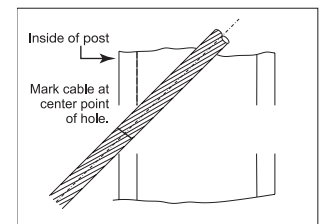


2. **Grip the cable with cable grip locking pliers** approximately 1/8" from the swaged stud. Screw the Receiver onto the stud for leverage, and bend the cable by hand to the approximate angle desired. This bend does not have to be precise.

3. **Install the Receiver** in the post at the bottom of the stairway, following the instructions in the "Installing Cable" section for installing Invisiware Receiver at Post A. Make sure the stud is flush with the outside wall of the post. See illustration at right.



4. **Pull the cable** to the hole in the post at the top of the stairway where the Receiver will be installed on the other end of the cable. Mark the cable at the center point of the hole. See illustration at right.



5. **Swage the stud** onto the end of the cable with the threaded end at the mark made in Step 4. See "Swaging Instructions" on pages 15-16, and the illustration at right. Cut off any excess cable, leaving a small "tail" out of the end of the stud.



6. **Bend the cable** to the approximate angle desired as done in Step 2 above. Make sure bends are on the same plane.

7. **Install the Receiver** in the post at the top of the stairway, following the instructions in the "Installing Cable" section of this Installation Guide for installing Invisiware® Receivers at Post B. When tensioned, the cables will self-align at each end post.

## Using Invisiware Receiver on Stairways *(continued)*

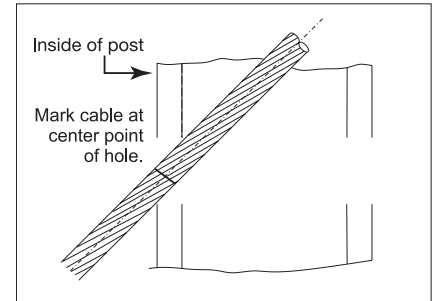
**Section B. This section applies if you are installing Invisiware Receivers on one end and another type of fitting on the other end of your cable run.** *If the cables are supplied with studs on the Invisiware® Receiver ends, then you can disregard steps 2 and 3 below.*

**1. Install the fitting on the non-Receiver end of the run first.**

See the instructions for that fitting in the "Installing Cable" on pages 4-9.

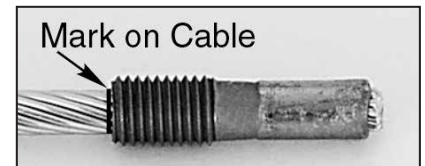
**2. Pull the cable** to the hole in the post at the Receiver end of the run.

Mark the cable at the center point of the hole.  
See illustration at right.



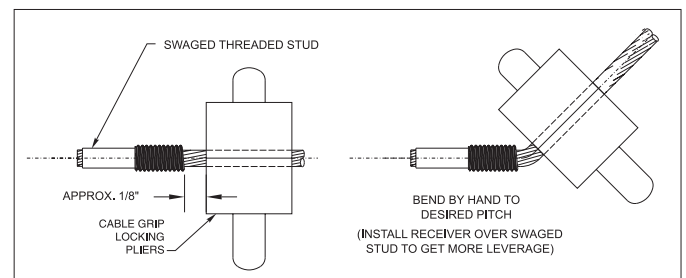
**3. Swage the stud** onto the end of the cable with the threaded

end at the mark made in Step 2. See "Swaging Instructions" on pages 15-16, and the illustration at right. Cut off any excess cable, leaving a small "tail" out of the end of the stud.



**4. Grip the cable with cable grip locking pliers**

approximately 1/8" from the swaged stud. Screw the Receiver onto the stud for leverage, and bend the cable by hand to the approximate angle desired. This bend does not have to be precise.



**5. Install the Receiver** in the post, following the instructions for installing Invisiware® Receivers at Post B in the "Installing Cable" on pages 4-9. When tensioned, the cables will self-align with the fitting at the other end of the cable run.

