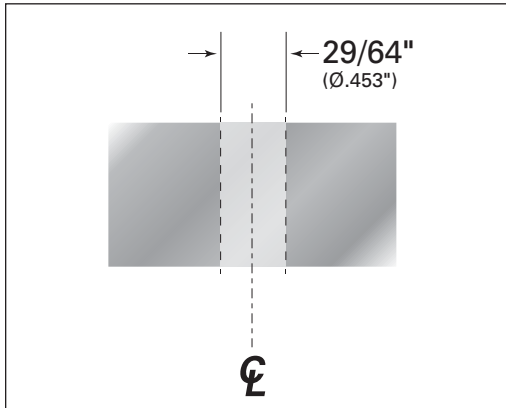


Invisiware® Radius Ferrule

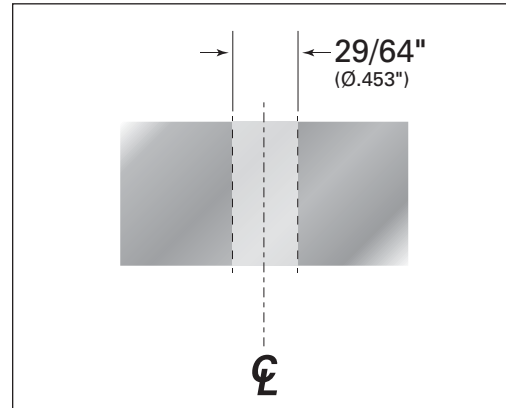
Used with flat bar or steel plate.



Part No. RF-4
Cable Dia: 1/8"



Part No. RF-6
Cable Dia: 3/16"



Invisiware® Radius Ferrule

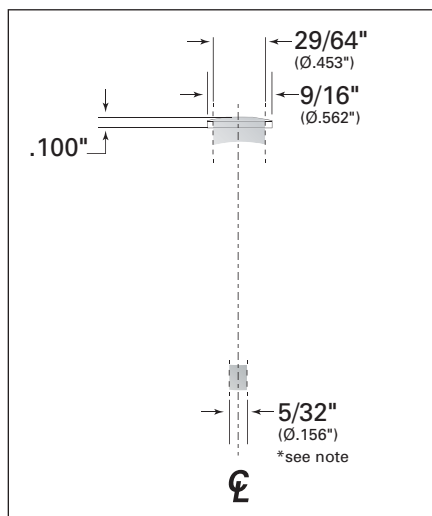
Used with minimum SC80 round pipe or round steel tubing.

If using round steel tubing, wall thickness should be at least comparable to SC80 pipe.



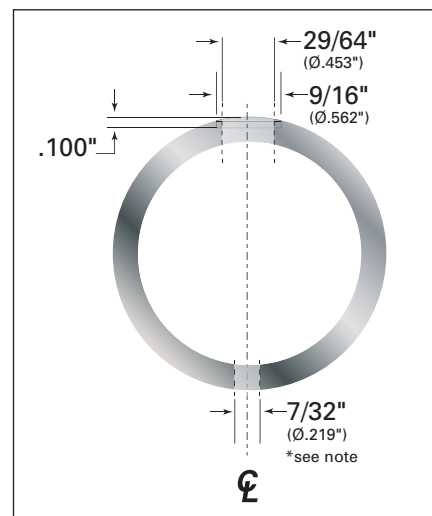
Part No. RF-4
Cable Dia: 1/8"

*see note if using grommets



Part No. RF-6
Cable Dia: 3/16"

*see note if using grommets



*Note: If grommets are being used, hole through which cable passes should be drilled as follows:

RF-4:	1/4"	(.250")
RF-6:	1/4"	(.250")
RF-8:	5/16"	(.312")