

HOLES FOR POSTS AND CABLE BRACES

Boring and slotting where grommets are NOT being used

If you will be using grommets, see next page.

Intermediate Post and Cable Brace Hole Diameters for LEVEL RUNS

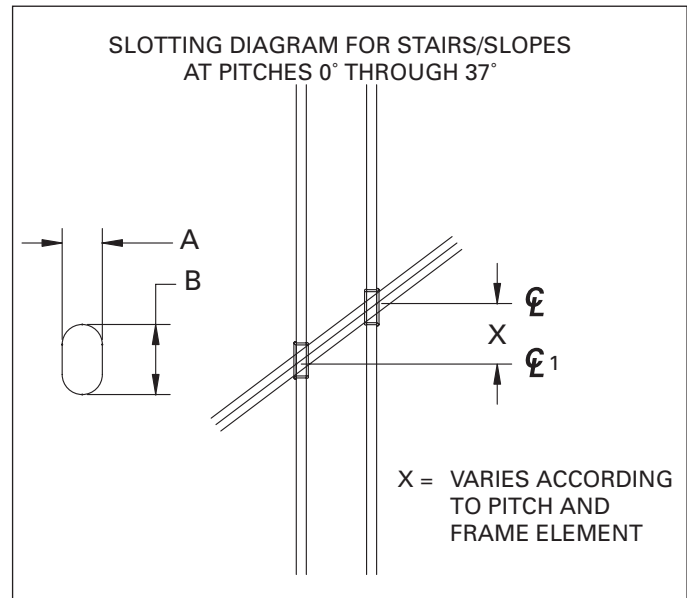
HOLE DIAMETERS FOR LEVEL RUNS
GROMMETS **NOT** BEING USED

CABLE DIA.	Fittings FIELD Swaged	Fittings FACTORY Swaged	
		Using Threaded Stud	Using Swaging Ferrule
1/8"	5/32" (.156")	11/32" (.344")	17/64" (.265")
3/16"	7/32" (.219")		
1/4"	9/32" (.281")	15/32" (.469")	25/64" (.390")
5/16"	11/32" (.344")	19/32" (.594")	33/64" (.516")
3/8"	13/32" (.406")		

Intermediate Posts and Cable Braces Hole Diameters for STAIRS / SLOPED RUNS

HOLE DIAMETERS FOR STAIRS/SLOPES
GROMMETS **NOT** BEING USED

CABLE DIA.	A	B
1/8"	5/32" (.156")	23/64" (.359")
3/16"	7/32" (.219")	29/64" (.453")
1/4"	9/32" (.281")	17/32" (.531")
5/16"	11/32" (.344")	39/64" (.609")
3/8"	13/32" (.406")	11/16" (.688")



HOLES FOR POSTS AND CABLE BRACES

Boring and slotting where grommets ARE being used

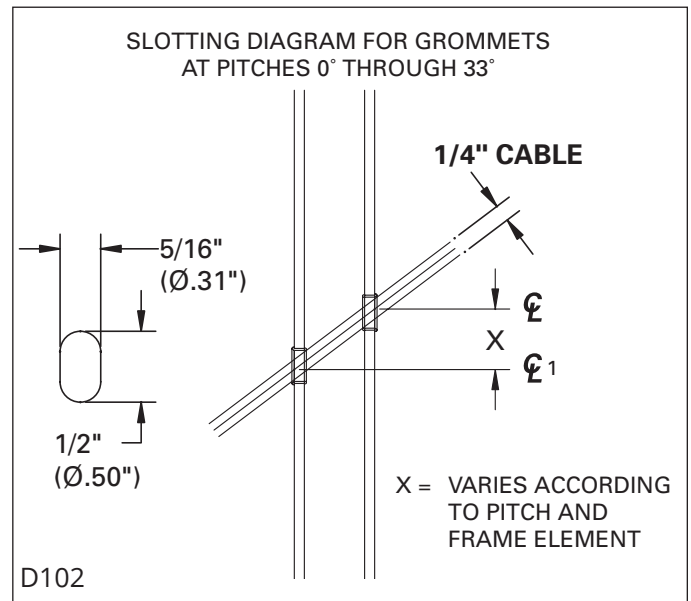
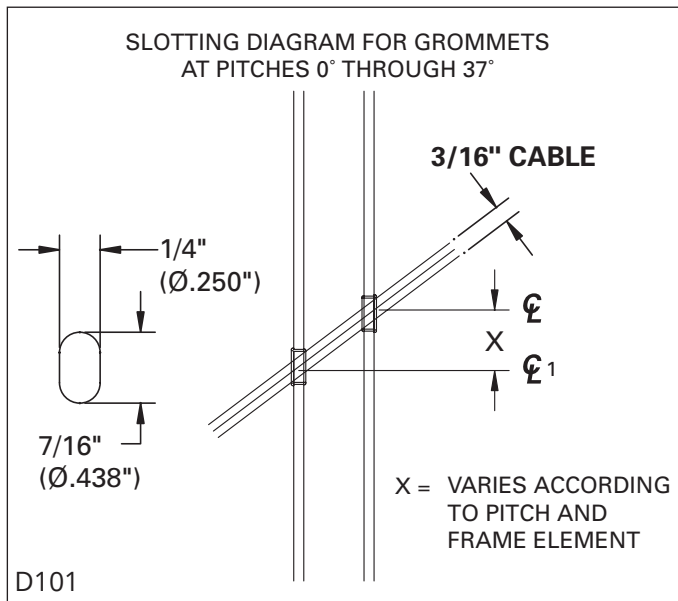
Intermediate Post and Cable Brace Hole Diameters for LEVEL RUNS

HOLE DIAMETERS FOR LEVEL RUNS
GROMMETS ARE BEING USED
Grommets are not offered for diameters greater than 1/4".

CABLE OR FITTING DIA. PASSING THROUGH POST	Hole sizes are actual sizes AFTER finish is applied (*see note).
1/8"	1/4" (.250")
3/16"	
1/4"	5/16" (.312")

*Note: Grommets will not install properly in under- or over-sized holes.

Intermediate Posts and Cable Braces Hole Diameters for STAIRS / SLOPED RUNS



Isolation Bushings for End Posts

Part No. B-687-562-437

The Isolation Bushing will go into the pre-drilled hole along with the Receiver in the post — one on each side of the post for Receivers and Pull-Locks®. Drill hole size is 41/64" (21/32" is okay if 41/64" bit can't be located).

